

V34, K14.0



SEE VICTAULIC PUBLICATION 10.01 FOR DETAILS

Extended Coverage/Ordinary Hazard (ECOH) Pendent, Recessed Pendent and Upright

V3421 STANDARD RESPONSE - Pendent, Recessed Pendent - UL, ULC Listed

V3425 STANDARD RESPONSE - Upright - cULus Listed

Model V34 ECOH sprinklers are designed to protect ordinary hazard occupancies with a maximum coverage area of 400 square feet with unobstructed or non-combustible obstructed ceiling construction as permitted by NFPA 13. These sprinklers have been fire tested to compare their performance with that of standard coverage ordinary hazard sprinklers with a maximum coverage area of 130 square feet and 15 foot spacing. The results show that the protection provided by V3421 and V3425 sprinklers is equivalent to or exceeding that of standard spray sprinklers. The die cast frame is cast with a hex-shaped wrench boss to allow easy tightening from many angles, reducing assembly effort. This sprinkler is available in various temperature ratings (see chart on page 3) and finishes to meet many design requirements.



PENDENT (V3421)



RECESSED PENDENT (V3421)



V3425 UPRIGHT

SPRINKLER OPERATION:

The operating mechanism is a frangible glass bulb which contains a heat responsive liquid. During a fire, the ambient temperature rises causing the liquid in the bulb to expand. When the ambient temperature reaches the rated temperature of the sprinkler, the bulb shatters. As a result, the waterway is cleared of all sealing parts and water is discharged towards the deflector. The deflector is designed to distribute the water in a pattern that is most effective in controlling the fire.

COVERAGE:

Extended spray coverage is up to 400sq. ft./37.2sq. m per NFPA 13.

INSTALLATION REQUIREMENTS:

Extended Coverage Ordinary Hazard sprinklers shall be installed in accordance with the guidelines in NFPA 13 using no less than the minimum allowable density for the hazard group and coverage area as outlined in the Coverage Area/Density section of the submittal. According to NFPA 13, Extended Coverage Ordinary Hazard sprinklers are intended for installation with not less than 18"/457.2 mm clearance between the sprinkler deflector and the top of the commodity in Ordinary Hazard group 1 and occupancies.

JOB/OWNER

System No. _____

Location _____

CONTRACTOR

Submitted By _____

Date _____

ENGINEER

Spec Sect _____ Para _____

Approved _____

Date _____

www.victaulic.com

VICTAULIC IS A REGISTERED TRADEMARK OF VICTAULIC COMPANY. © 2010 VICTAULIC COMPANY. ALL RIGHTS RESERVED.

REV_D



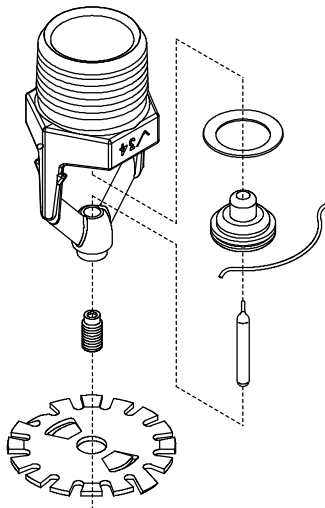
V34, K14.0

Extended Coverage/Ordinary Hazard (ECOH) Pendent, Recessed Pendent and Upright

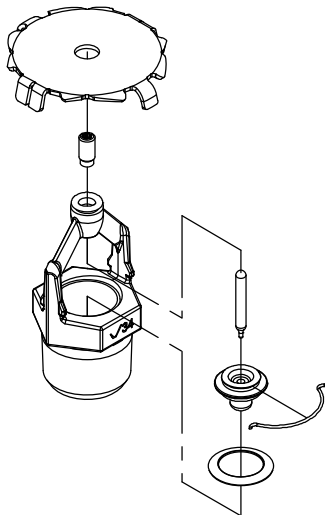
V3421 STANDARD RESPONSE - Pendent, Recessed Pendent - UL, ULC Listed

V3425 STANDARD RESPONSE - Upright - cULus Listed

TECHNICAL SPECIFICATIONS:



Exaggerated for Clarity



Exaggerated for Clarity

Models: V3421 and V3425
Style: ECOH - Pendent, Recessed Pendent (V3421) and Upright (V3425)
Nominal Orifice Size: 3/4"/20 mm
K-Factor: 14.0Imp./20.2S.I.^
Nominal Thread Size: 3/4" NPT/20mm
Max. Working Pressure: 175 psi/1200 kPa
Factory Hydrostatic Test: 100% @ 500 psi/3450 kPa
Min. Operating Pressure: 7.8 psi/53.8 kPa
Temperature Rating: See chart on page 3

Material Specifications
Pendent Deflector: UNS C51000
Bulb: Glass with glycerin solution.
Bulb Nominal Diameter: 3 mm
Load Screw: UNS C65100
Pip Cap: CW602N brass alloy
Spring: Beryllium nickel
Seal: Teflon* tape
Frame: Die cast brass 65-30
Lodgement Spring: UNS S30200

Accessories

Installation Wrench:

- Open End: V34
- Recessed: V34

Sprinkler Finishes:

- Plain brass
- Chrome plated
- Nickel Teflon*
- White painted**
- Custom painted**

For escutcheons, boxes and other accessories refer to separate sheet.

NOTE: Weather resistant recessed escutcheons available on request.

^ For K-Factor when pressure is measured in Bar, multiply S.I. units by 10.0.

* Teflon is a registered trademark of Dupont Co.

** UL Listed for corrosion resistance in all configurations.